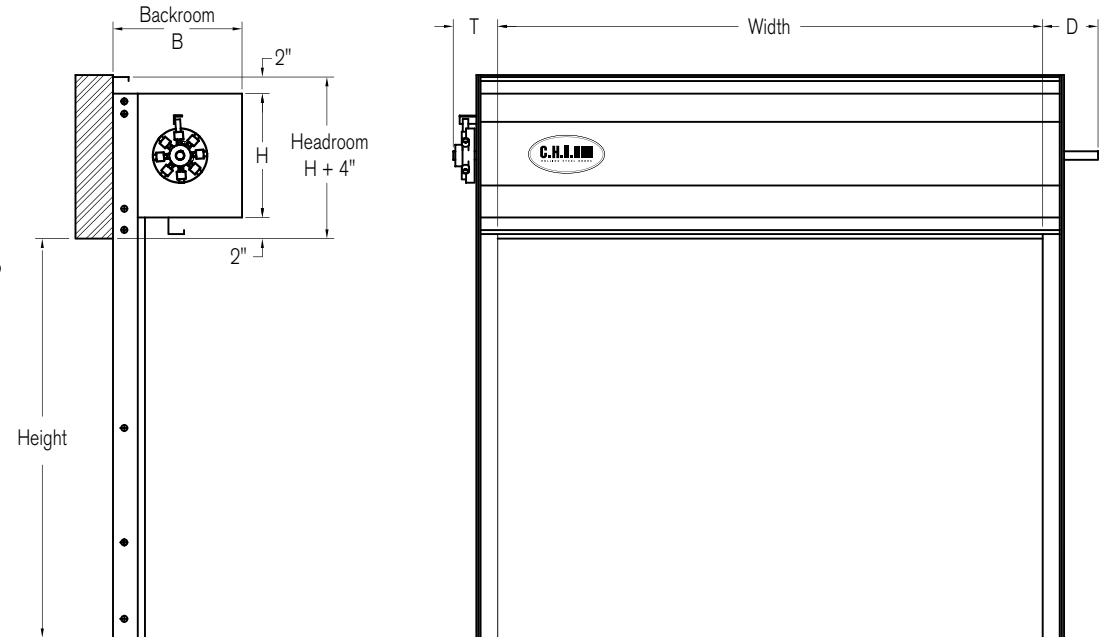
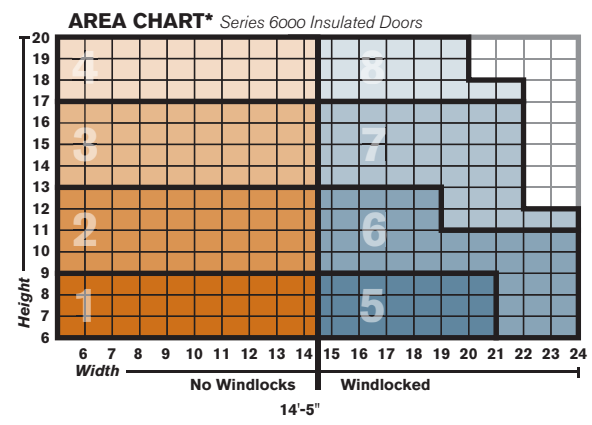
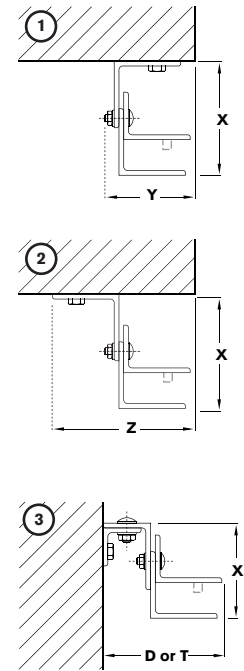


**Series 6000
Insulated Doors**



DETAILS
CLEARANCES & DIMENSIONS

- 1. Steel
- 2. Wood or Masonry
- 3. Wood, Masonry or Steel



zone	H	B	T	D	X	Y	Z
1	15"	16"	6"	8-1/2"	3-7/8"	4-3/8"	6-1/2"
2	17"	18"	6"	8-1/2"	5"	4-3/8"	6-1/2"
3	19"	20"	6"	8-1/2"	5"	4-3/8"	6-1/2"
4	21"	22"	6"	8-1/2"	5"	4-3/8"	6-1/2"
5	17"	18"	6-1/2"	9-1/2"	6"	4-3/4"	7-1/2"
6	19"	20"	6-1/2"	9-1/2"	6"	4-3/4"	7-1/2"
7	21"	22"	6-1/2"	9-1/2"	6"	4-3/4"	7-1/2"
8	23"	24"	6-1/2"	9-1/2"	6"	4-3/4"	7-1/2"

Consult factory if headroom is critical or for sizes not listed.